

MARK-V FT-1000MP SERIES
FTV-1000

200 W 50 MHz TRANSVERTER

**The MARK-V "Magic Band" Evolution...
The FTV-1000 50 MHz High-Performance Transverter!**



 **YAESU**
Choice of the World's top DX'ersSM

50 MHz High-Power (200 W) Design

The FTV-1000 utilizes the same high-performance power MOS FET transistors, Phillips BLF147s in a push-pull configuration, as are used in the MARK-V FT-1000MP. Driven by a BLF145 driver MOS FET, the PA stage operates at 30 Volts DC, provided by the FP-29 power supply which is connected to the transceiver. The BLF147 devices, capable of operation at 300 Watts PEP, are run well below their maximum ratings for high reliability. The extensive heat sink design is augmented by a thermostatically-controlled cross-flow cooling fan, keeping the FTV-1000 running cool even during busy operating sessions.



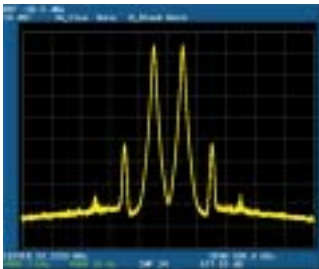
Rugged BLF147 MOS FETs provide up to 200 Watts of Clean Power Output

High-Efficiency T-Configuration Heat Sink



Class-A Transmitter Bias Selection

The MARK-V FT-1000MP's exclusive Class-A bias capability now is extended to the 50 MHz band! When Class A is selected, power output is reduced to 50 Watts, while 3rd-order transmitter intermodulation distortion (IMD) falls to -50 dB (typical). Splatter-producing 5th-order IMD typically is -65 dB or better, giving you the cleanest SSB signal on the band!



Class A (50 W PEP) Super-Low IMD

High Dynamic Range Receiver Front End

Following the design philosophy of the MARK-V FT-1000MP's receiver section, the FTV-1000 front end utilizes a high-intercept design featuring four SST-310 J-FETs in a doubly-balanced mixer. Driving the mixer, you have a selection of preamps. Preamp 1 utilizes four SST-310 J-FETs in a high dynamic range design, while Preamp 2, designed for extremely low noise figure, utilizes push-pull SGM2016 GaAs MES FETs. For local work, select the IPO (Intercept Point Optimization) feature, which bypasses the internal preamplifier for direct feed to the mixer, and a 12 dB input attenuator is also available, when working with extremely strong local signals.

Convenient Operation with MARK-V FT-1000MP

The FTV-1000 utilizes the 28 MHz band on the MARK-V FT-1000MP as a tunable IF. The MARK-V's frequency display may be set, via Menu, to display the 50 - 54 MHz frequencies directly, instead of the converted 28 - 30 MHz frequency. Switching on the FTV-1000 automatically disables the MARK-V FT-1000MP's power amplifier, and enables full-featured operation on 50 - 52 MHz or 50 - 54 MHz, utilizing all the great receiver filters of the MARK-V, as well as split-frequency capability for those big DX pile-ups.

Extensive Protection Features

The FTV-1000 includes extensive protection features to guard against damage to the power amplifier stage caused by antenna system problems. In addition, the front panel provides a number of operational status indicators for the transmitter that can help you make adjustments and diagnose problems throughout your station. These include:

- **ALC:** This LED lights up when abnormally-high ALC voltage is detected.
- **HI SWR:** When the antenna system SWR exceeds 2.5:1, this LED lights up.
- **FAN:** This indicator lights up when the internal cooling fan is activated by the thermostat in the power amplifier stage. Activation of the fan does not necessarily indicate a technical problem.
- **PROTECTION:** This LED appears if the final amplifier's temperature becomes excessively high.

Power Up with the VL-1000 Linear Amplifier!

For an even bigger voice on 6 meters, choose the VL-1000 linear amplifier, which includes coverage of the HF bands plus 50 MHz! Providing at least 500 Watts of power output (even more when using 240V AC mains), the VL-1000 will help make you a "Big Gun" on 6 meters with the FTV-1000 and the MARK-V FT-1000MP!



Specifications

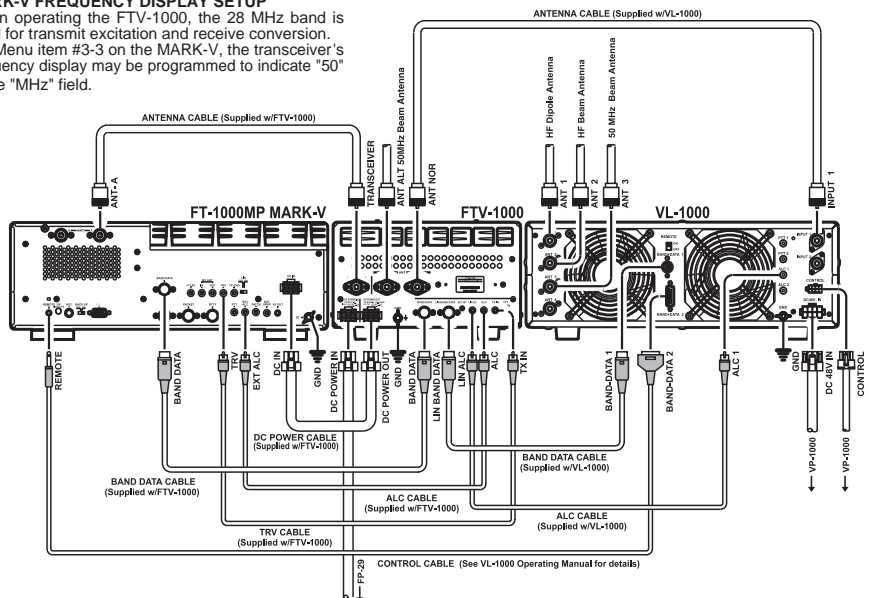
Frequency Range: 50-54 MHz
 Antenna Impedance: 50 Ohms
 Power Output: 200 Watts PEP
 Spurious Emissions: At least 60 dB down
 Power Source: DC 30 V and 13.8 V
 (supplied by FP-29 Power Supply of MARK-V)
 Dimensions: 9.8" x 5.4" x 13.1" WHD
 (248 x 136 x 332 mm)

Specifications subject to change without notice or obligation.

MARK-V/FTV-1000/VL-1000 INTERCONNECTIONS

MARK-V FREQUENCY DISPLAY SETUP

When operating the FTV-1000, the 28 MHz band is used for transmit excitation and receive conversion. Via Menu item #3-3 on the MARK-V, the transceiver's frequency display may be programmed to indicate "50" in the "MHz" field.



About this brochure: we have made this brochure as comprehensive and factual as possible. We reserve the right, however, to make changes at any time in equipment, optional accessories, specifications, model numbers, and availability. Precise frequency range may be different in some countries. Some accessories shown herein may not be available in some countries. Some information may have been updated since the time of printing; please check with your Authorized Yaesu Dealer for complete details.

YAESU VERTEX STANDARD CO., LTD.
 4-8-8 Nakameguro, Meguro-ku, Tokyo 153-8644, Japan

VERTEX STANDARD Phone 562/404-2700; Fax 562/404-1210
 Email:amateursales@vxstd.com

For the latest Yaesu news, visit us on the Internet:
<http://www.vxstd.com>

US Headquarters
 17210 Edwards Road, Cerritos, CA 90703, U.S.A.

International Division
 8350 N.W. 52nd Terrace, Suite 201, Miami, FL 33166, U.S.A.

YAESU EUROPE B.V.
 P.O. Box 75525, 1118 ZN Schiphol, The Netherlands

YAESU UK LTD.
 Unit 12, Sun Valley Business Park, Winnall Close
 Winchester, Hampshire, SO23 0LB, U.K. Email:sales@yaesu.co.uk

YAESU GERMANY GmbH
 Am Kronberger Hang 2, D-65824 Schwalbach, Germany

VERTEX STANDARD HK LTD.
 Unit 5, 20/F., Seaview Centre, 139-141 Hoi Bun Road,
 Kwun Tong, Kowloon, Hong Kong